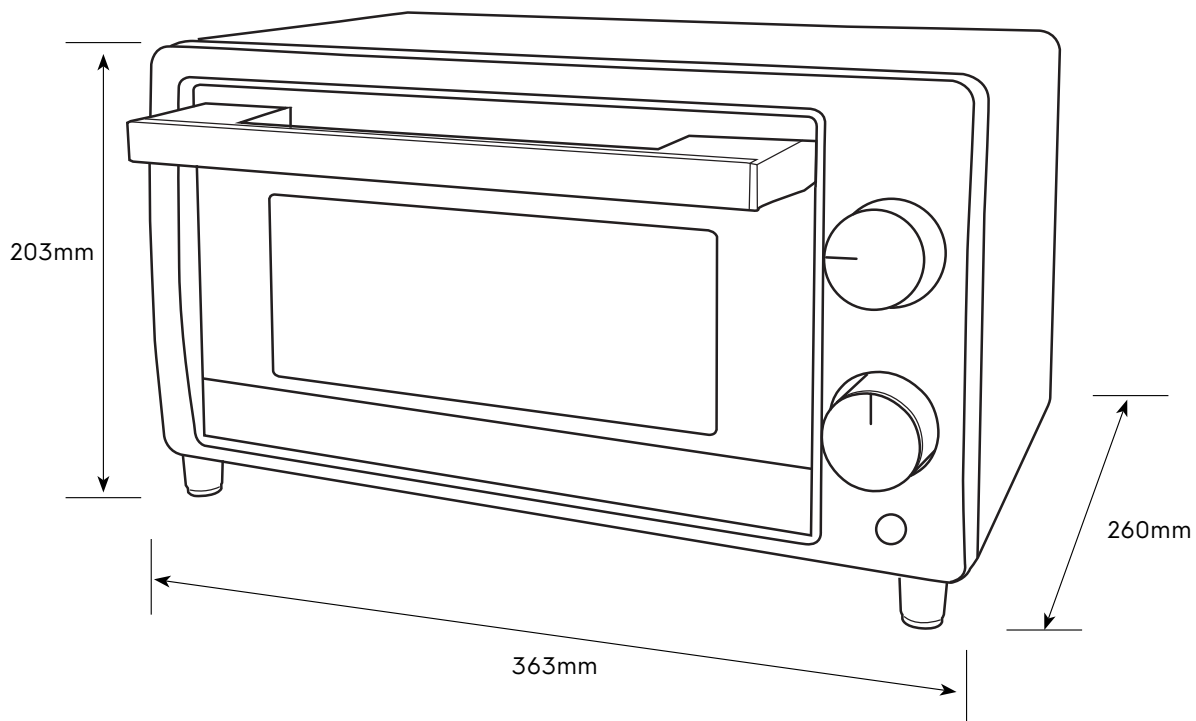


# Dimension Guide

## Freestanding electric oven

**Model:**  
EOT0908X

Dimensions			
	width	height	depth
Product (mm)	363	203	260



**Please note!** Dimensions to be used as a guide only. All customers MUST refer to the user manual supplied with the product for detailed installation instructions.  
© 2022 Electrolux S.E.A PTE. LTD. E\_DIM\_EOT0908X\_Mar22