

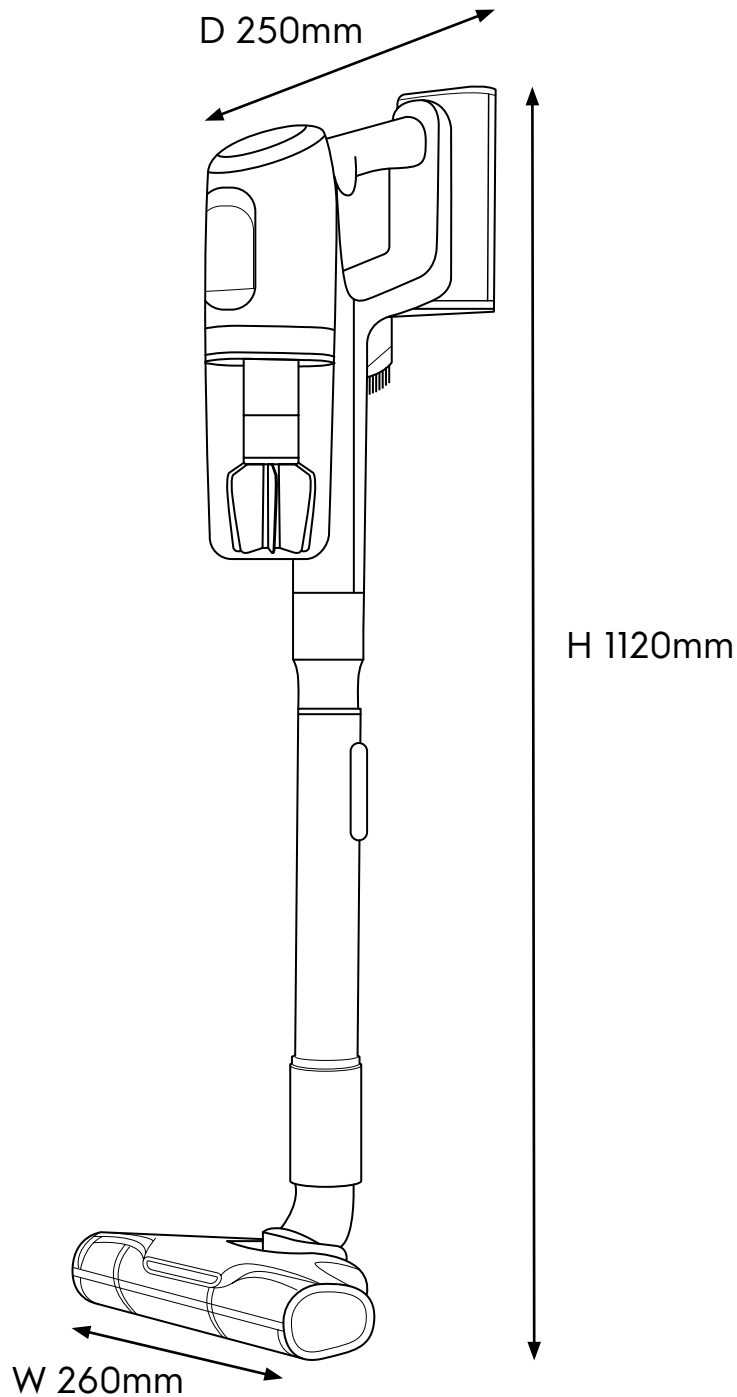
# Dimension Guide

## Stick vacuum cleaner

**Model:**  
EFP91814WH

### Dimensions

|              | width | height | depth |
|--------------|-------|--------|-------|
| Product (mm) | 260   | 1120   | 250   |



**Please note!** Dimensions to be used as a guide only. All customers MUST refer to the user manual supplied with the product for detailed installation instructions.

© 2021 Electrolux S.E.A PTE. LTD. E\_DIM\_EFP91814WH\_Oct21