

RANGEHOOD INSATLLATION



WARNING!

Refer to "Safety information" chapter



BEFORE INSTALLATION

Before the installation of the appliance, record the information below from the rating plate. The rating plate is on the bottom of the appliance casing.

Model _____

PNC _____

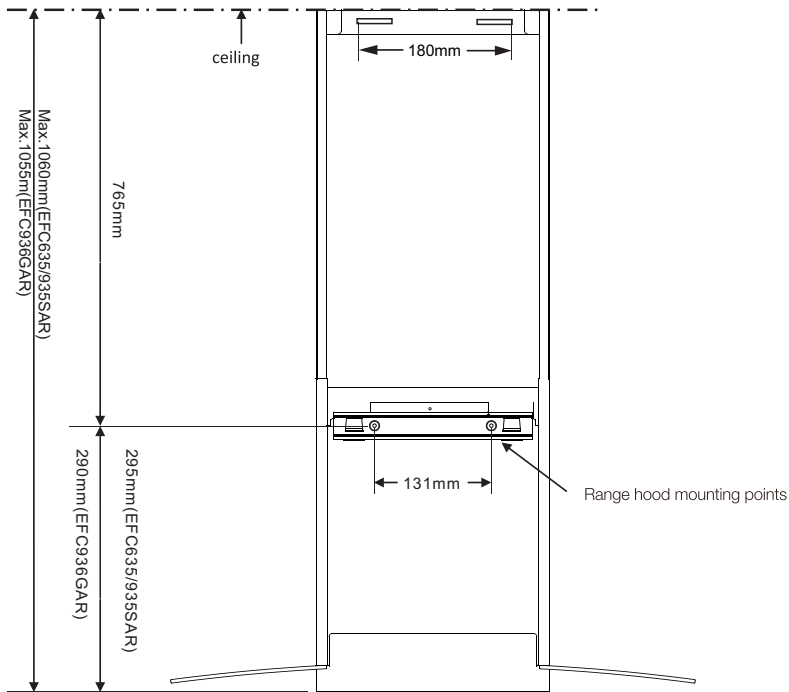
Serial number _____

- Using a spirit level mark a vertical centre line on the wall where the cooker hood is to be positioned, and a horizontal line at the cooker hood base position (refer diagram below).

NOTE: The height of the underside of the hood body must be a minimum of 650mm to a maximum height of 800mm*

* If the instructions of the hob specify a greater distance than the minimum above, then that shall be the minimum height for installation.

- Mark the location for flue cover wall mounting brackets and cooker hood mounting points above the hood base as the reference point (Fig. 6).



Cooktop type	DIM.A	
	minimum*	maximum
Gas	650mm	800mm
Electric	650mm	800mm



WARNING!

Failure to install the screws or fixing device in accordance with these instructions may result in electrical hazards

Top of hob _____

Fig 6

RANGEHOOD INSATLLATION (CONTINUED)

- Install the flue cover mounting and wall brackets with screws to the wall as marked (Fig. 7). Please mounted recirculating T pieces together with flue cover bracket if recirculating mode is used. (Fig.9)

Depending on the preferred installation/ducting mode, follow step 5a or 5b below.

5a. Recirculating mode (Fig. 9).

According to the flue cover dimension, Fix the T-piece by 4 screws supplied. adhesive two sponge to the outlet of T-piece as shown (Fig.9)

Using the centre line, secure the recirculating T-piece and Chimney mounting bracket to the wall. Install flexible pipe between T-piece and flue transition duct. Use fixing ring to secure flexible pipe to T-Piece and transition duct.(Fig.11)

NOTE: When installed in recirculating mode, it is recommended to use a carbon filter to prevent odours being emitted back into the room.

5b. Ducted mode (Fig 10.)

Fit the flexible flue to the duct transition(Fig.10). Use fixing rings to secure flexible pipe to the duct transition.

NOTE: For ducted mode, we recommend extending flue pipe through the roof to external" roof cap" to vent exhaust externally. We do not recommend venting into ceiling cavity.

NOTE: To ensure optimum performance of the rangehood, the use of rigid ducting is recommended. the use of bends should be avoided. All ducting must be fire retardant.

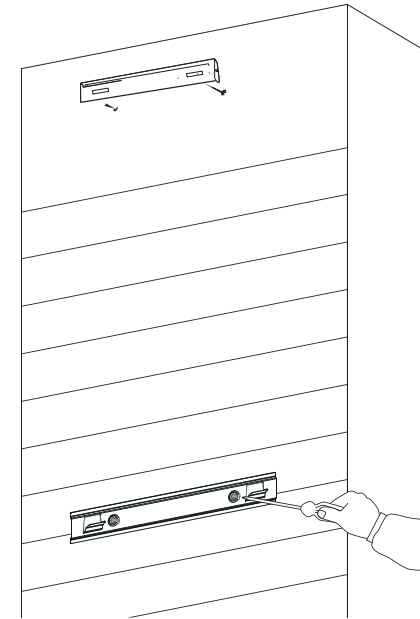


Fig 7

- Remove protective plastic film, if present, from the hood body and hang on the wall bracket.

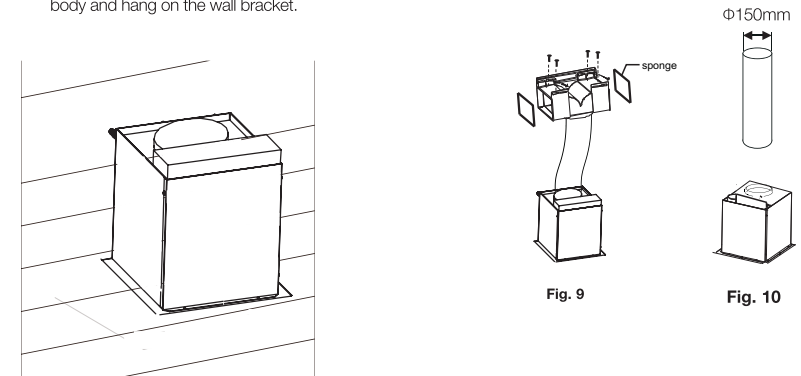


Fig. 9

Fig. 10

Fig. 8

RANGEHOOD INSATLLATION(CONT)

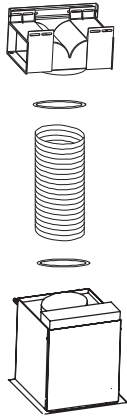


Fig. 11

6. Electrical connection

- Electrical wiring must be done by a qualified person(s) in accordance with all applicable codes and standards. Turn off electrical power at service entrance before wiring.
- If the power cord is damaged, it must be replaced by manufacturer, its agent or similarly qualified persons in order to avoid hazard.
- Do not use the plug and an extension cord other than the ones initially supplied with the hoods.
- The earthing of this hood is compulsory. Do not remove the ground prong of the plug.

7. Installation of telescopic flue covers

Separate the flue covers section. Carefully reassemble the upper and lower flue covers sections by sliding the inner into the outer flue cover. Fix the outer flue cover with screws (Fig.12.) Carefully lower the assembled upper and lower flue covers onto the top of cooker hood body. Fix upper flue cover to the mounting bracket with screws supplied. Ensure that the upper section is extended.

NOTE: Carefully remove the plastic protective coating, if present, from the flue covers. Pay particular attention when removing protective plastic coating from decals.

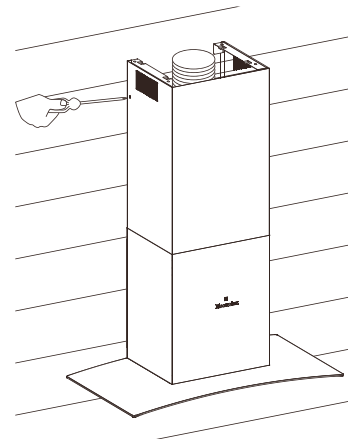
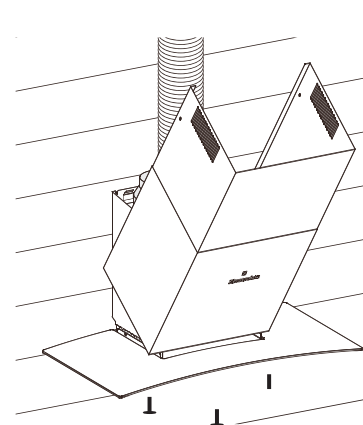


Fig.12

Your Electrolux rangehood is now ready to use