

INSTALLATION



WARNING!
Refer to Safety chapters.

1 Before the installation

Before you install the hob, write down the information below from the rating plate. The rating plate is on the bottom of the hob.

Serial number

2 Built-in hobs

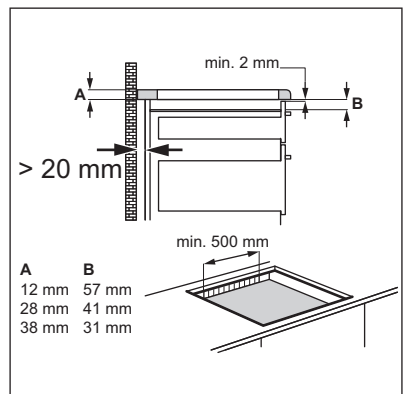
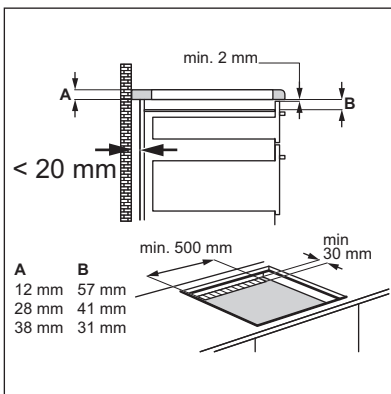
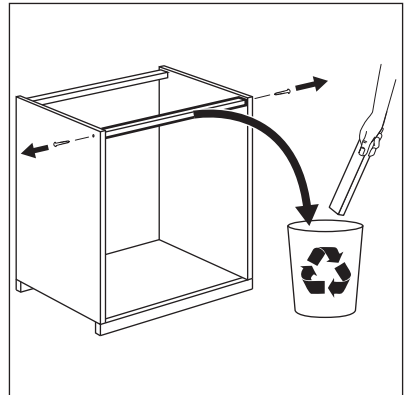
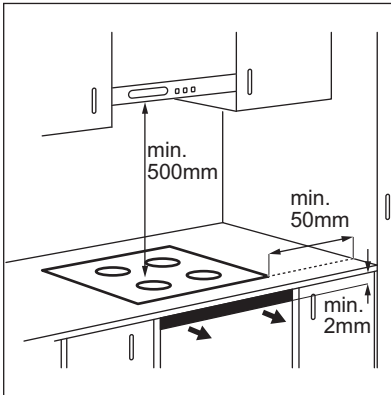
Only use the built-in hobs after you assemble the hob into correct built-in

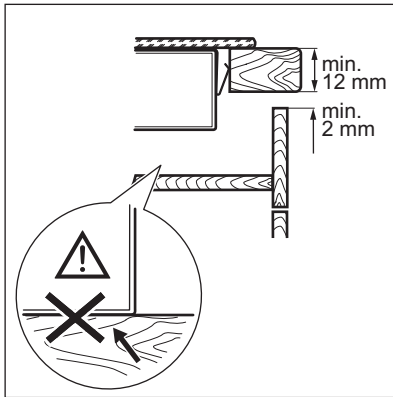
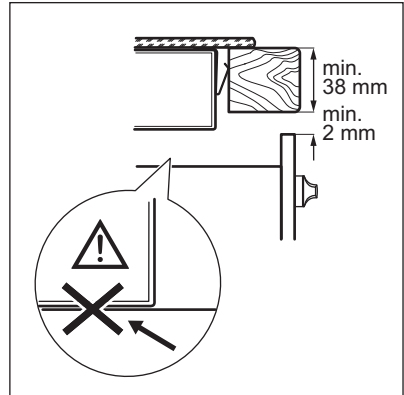
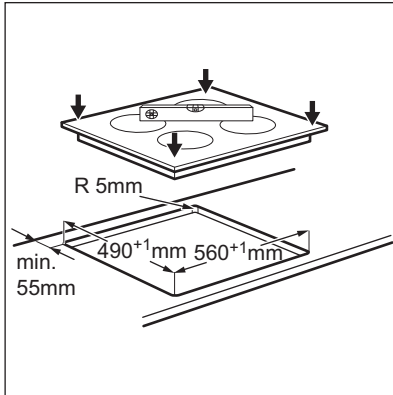
4 Assembly

units and work surfaces that align to the standards.

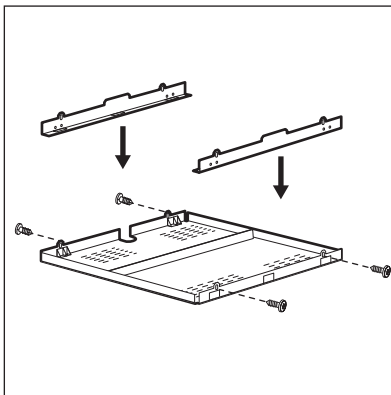
3 Connection cable

- The hob is supplied with a connection cable.
- To replace the damaged mains cable use the following (or higher) mains cable type: H05BB-F T min 90°C. Speak to your local Service Centre.





5 Protection box



If you use a protection box (an additional accessory), the front airflow space of 2 mm and the protective floor directly below the hob are not necessary. The protection box accessory may not be available in some countries. Please contact your local supplier.



You can not use the protection box if you install the hob above an oven.