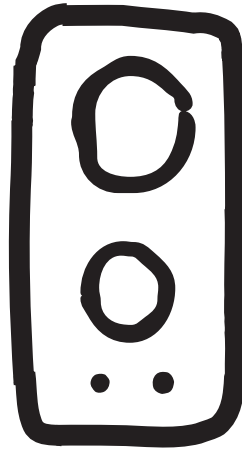


Встраиваемая варочная панель

INSTRUCTION BOOKLET  
РУКОВОДСТВО ПО ЭКСПЛУАТАЦИИ  
MANUAL DE INSTRUCCIONES  
INSTRUÇÕES DE UTILIZAÇÃO



*Мод. EHC 320*

# ENGLISH

## For Your Safety

**These warnings are provided in the interest of safety. You MUST read them carefully before installing or using the appliance.**

**It is most important that this instruction book should be retained with the appliance for future reference. Should the appliance be sold or transferred, always ensure that the book is left with the appliance in order that the new owner can get to know the functions of the appliance and the relevant warnings.**

### During Operation


- This appliance has been designed to be operated by adults and children under supervision. Young children **MUST NOT** be allowed to tamper with the controls or play near or with the oven.
- This appliance has been designed for cooking edible foodstuff and to be used for domestic non-professional purposes only. It must not be used for any other purpose.
- It is **dangerous** to alter the specification in any way.
- For hygiene and safety reasons, this appliance should be kept clean at all times. A build-up of fats or other foodstuff could result in a fire.
- Accessible parts of this appliance may become hot when it is in use. Children should be **KEPT AWAY** until it has cooled.
- Under no circumstances should you attempt to repair the appliance yourself. Repairs carried out by unexperienced persons may cause injury or serious malfunctioning. Refer to your local Zanussi Service Centre. Always insist on genuine Zanussi spare parts.
- Ensure that all control knobs are in the OFF position when not in use.
- Should you connect any electrical tool to a plug near this cooking appliance, ensure that electric cables are not in contact with it and keep them far enough from the heated parts of this appliance.
- If the appliance is out of order, disconnect it from the electric supply.

### About Installation, Cleaning and Maintenance

- It is mandatory that all operations required for the installation are carried out by a qualified or competent person, in accordance with existing rules and regulations.
- Disconnect the appliance from the electrical supply, before carrying out any cleaning or maintenance work.

- Once you removed all packaging from the appliance, ensure that it is not damaged and the electric cable is in perfect conditions. Otherwise, contact your dealer before proceeding with the installation.
- **The manufacturer disclaims any responsibility should all the safety measures not be carried out.**



The symbol  on the product or on its packaging indicates that this product may not be treated as household waste. Instead it shall be handed over to the applicable collection point for the recycling of electrical and electronic equipment. By ensuring this product is disposed of correctly, you will help prevent potential negative consequences for the environment and human health, which could otherwise be caused by inappropriate waste handling of this product. For more detailed information about recycling of this product, please contact your local city office, your household waste disposal service or the shop where you purchased the product.

### Guide to Use the instructions

The following symbols will be found in the text to guide you throughout the Instructions:



Safety Instructions



Step by step instructions for an operation



Hints and Tips



Environmental information

**These instructions are only for the countries stated by the symbol printed on the front cover of this instruction book.**

# Contents

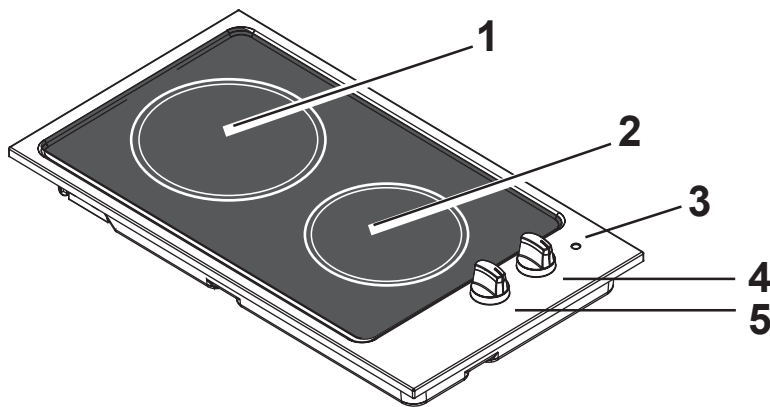
## For the User

For Your Safety	2
Description of the appliance	3
How to use	3
Hints and tips	4
Cleaning and maintenance	5

## For the Installer

Technical Data	5
Instruction for the Installer	6
Electrical connection	6
Building In	7
Possibilities for insertion	8

# Description of the product



- 1 Rear cooking zone, 180 mm, 1700 W
- 2 Front cooking zone, 145 mm, 1200 W
- 3 Pilot lamp
- 4 Control knob for the rear cooking zone
- 5 Control knob for the front cooking zone

# How To Use

## Control knobs

The regulating of heat is graduation-free for both plates on a scale from 1 to 6.

“1” Represents lowest heat


“6” Represents maximum heat.

“0” Represents “OFF”.

Setting	1	Keeping warm
Setting	2	Gentle simmering
Setting	3	Simmering
Setting	4	Frying / browning
Setting	5	Bringing to the boil
Setting	6	Bringing to the boil / quick frying / deep-frying

## Pilot light

Pilot light is activated when either of the zones are turned on, and will remain on until the cooking zones are switched off.

 **Do not use the ceramic hob if the glass is damaged.**

**If a fault or crack appears during cooking disconnect the hob immediately and contact Electrolux Service.**

 **Warning:**

**Aluminum foil and plastic utensils are not to be placed on hot surfaces.**

**The surface may not be used for storage.**

**Do not stare at the heating units when in operation.**

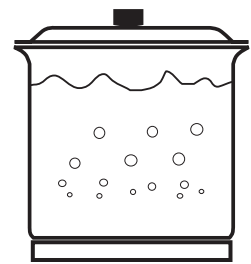
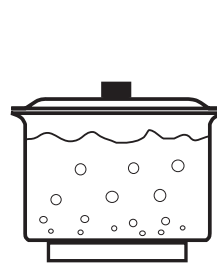
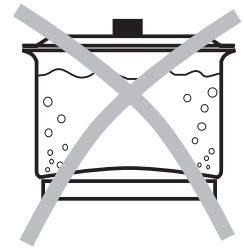
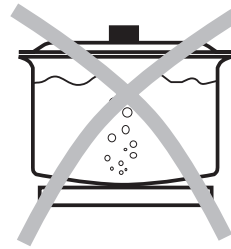
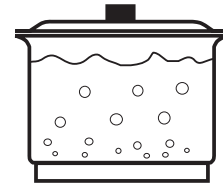
# Advice and hints for using the cooking zones

## Adjust the cooking zones correctly.

- Select the highest setting for the cooking zones until the food is brought to the boil. Then reduce the setting as far as possible, without the food going off the boil.
- Use level saucepans. An uneven saucepan may increase the electricity consumption by up to 50 per cent. Check whether your saucepans have level bases by placing the item in question upside down on a work top and positioning a ruler on the base.
- A curved base, both inwards and outwards, will prolong the cooking time and increase the energy consumption.
- The saucepan should match the cooking zone – or be slightly larger.

Cooking Zone	Diameter of pans to use
Rear cooking zone	180 mm
Front cooking zone	145 mm

- Remember that a large saucepan can also hold small quantities. If the diameter of the base is too small, the energy consumption will increase, and any food boiling over will burn onto the hot cooking zone.
- Saucepans with very shiny/bright bases will prolong the cooking time slightly compared with cooking utensils with matt/dark bases.
- Use a tightly fitting lid on the saucepan. Without a lid you use more than three times as much electricity.
- Do not slide saucepans across the surface of the hob - always lift the pan when placing it on, or removing it from the ceramic surface.
- Wipe the bottom surface of the pots and pans with a clean dry cloth before placing them on the ceramic surface. This helps to reduce cleaning and prevents scratching the hob glass.
- Wipe off spills whilst the hob is warm.



# Cleaning and maintenance



Before any maintenance or cleaning can be carried out, you must DISCONNECT the hob from the electricity supply.



For reasons of hygiene and safety, the cooking zones must be kept clean. Grease stains and spilled food generate smoke when heated, and can even cause fire.



Never use metal wool, metal sponges or other abrasive cleaning agents.



Never use steam or a steam cleaning machine to clean the appliance.

## The ceramic glass hob

- The decorative pattern on the ceramic surface can become scratched and marred with use, depending upon maintenance, but does not adversely affect performance.

**Such blemishes are not covered by the warranty and do not affect the operation of the hob.**

- Immediately scrape off stains caused by food which has boiled over using a proper ceramic hob scraper, spilled sugar, dishes containing sugar (jam, juice, etc.), melted plastic and aluminium foil while the ceramic hob is still hot. If the ceramic hob is allowed to cool it may become damaged.
- Utensils which have been in contact with the above-mentioned melted materials must be cleaned thoroughly before used again on the ceramic-top hob unit.



**Defects in the ceramic surface which can be related to the above are not covered by the warranty.**

- A dirty ceramic hob decreases the heat transfer between cooking zones and cookware.
- After use the cooking zones should be wiped with a damp cloth with washing up liquid.
- For severe soiling you can follow these steps:
  1. Remove stains etc., with a proper ceramic hob scraper.
  2. Make sure that the ceramic hob has cooled down. Use a proper ceramic cleaning agent.
  3. Wipe the ceramic hob clean with a damp cloth or kitchen roll. Tough stains can be removed by rubbing the stain hard with kitchen roll.
  4. Wipe off remaining cleaning agent with a damp cloth.
  5. Wipe with a dry cloth, if required.
- Make sure that the ceramic hob is dry when you heat it up again. Ceramic hobs can develop rainbow-like stripes if heated while damp.

## Stainless steel surfaces

- Clean the appliance after use with a soft cloth well wrung out in warm water, use a small amount of liquid detergent for stubborn soiling.
- Stainless steel parts may become straw coloured with use, use a proprietary stainless steel cleaner to remove this straw discolouration.

# Technical Data

## Hotplate Rating

Rear Cooking Zone Ø 180mm	1,7 kW
Front Cooking Zone Ø 145mm	1,2 kW
Total Rating	2,9 kW
Electric Supply	230 V 50 Hz

## Hob recess dimensions

Length	270 mm.
Width	490 mm.



This appliance complies with the following E.E.C. Directives:

- **73/23 - 90/683** (Low Voltage Directive);
- **89/336** (Electromagnetical Compatibility Directive);
- **93/68** (General Directives) and subsequent modifications.

## MANUFACTURER:

ELECTROLUX HOME PRODUCTS ITALY S.p.A.  
Viale Bologna, 298 I-47100 FORLÌ (Italy)

# Instruction for the Installer



The following instructions about installation and maintenance must be carried out by qualified personnel in compliance with the regulation in force.

The appliance must be electrically disconnected before all interventions. If any electric supply to the appliance is required to carry out the work, ensure all the necessary precautions are followed.

The side walls of the unit in which the hob is going to be installed, must not exceed the height of the working top.

Avoid installing the appliance in the proximity of inflammable materials (e.g. curtains, tea towels etc.).

## Electrical Connection

The appliance is designed to be connected to 230 V monophase electricity supply.

The connection must be carried out in compliance with the laws and regulations in force.

Before the appliance is connected:

1. check that the main fuse and the domestic installation can support the load (see the rating label);
2. check that the power supply is properly earthed in compliance with the current rules;
3. check the socket or the double pole switch used for the electrical connection can be easily reached with the appliance built in the furniture unit.

The appliance is supplied with a connection cable. This has to be provided with a proper plug, able to support the load marked on the identification plate. To connect the plug to the cable, follow the recommendation given in Fig. 1. The plug has to be fitted in a proper socket.

If connecting the appliance directly to the electric system, it is necessary that you install a double pole switch between the appliance and the electricity supply, with a minimum gap of 3 mm. between the switch contacts and of a type suitable for the required load in compliance with the current rules.

The connection cable has to be placed in order that, in each part, it cannot reach a temperature 90 °C higher than the room temperature.

The brown coloured phase cable (fitted in the terminal block contact marked with "L") must always be connected to the network phase.

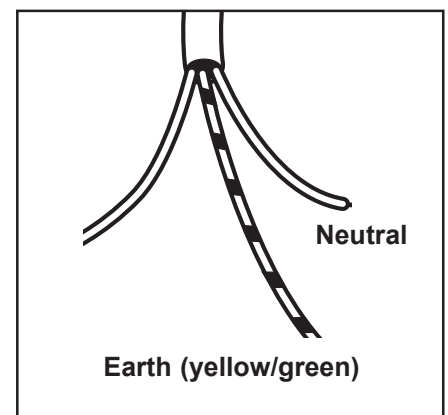


Fig. 1

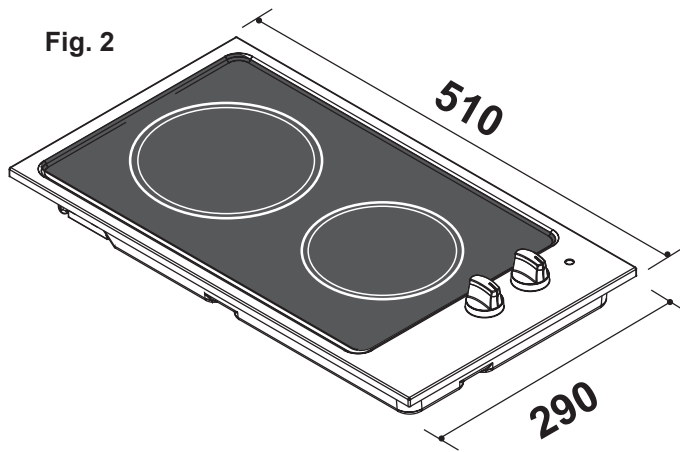
### Replacement of the connection cable

The replacement of the connection cable requires the specific equipment of a technician.

In this case, only cable type H05V2V2-F T90 must be used. The cable section must be suitable to the voltage and the working temperature.

The yellow/green earth wire must be approximately 2 cm longer than the phase wires (Fig. 1).

# Building In



Dimensions are given in millimetres

These hobs can be inserted in a built-in kitchen unit whose depth is between 550 and 600 mm. The hobs dimensions are shown in Fig. 2.

## Installation and assembly

These hobs can be installed in a kitchen unit with an opening for insertion whose dimensions are shown in Fig. 3.

The edge of the cut out must have a minimum distance from the rear wall of 55 mm.

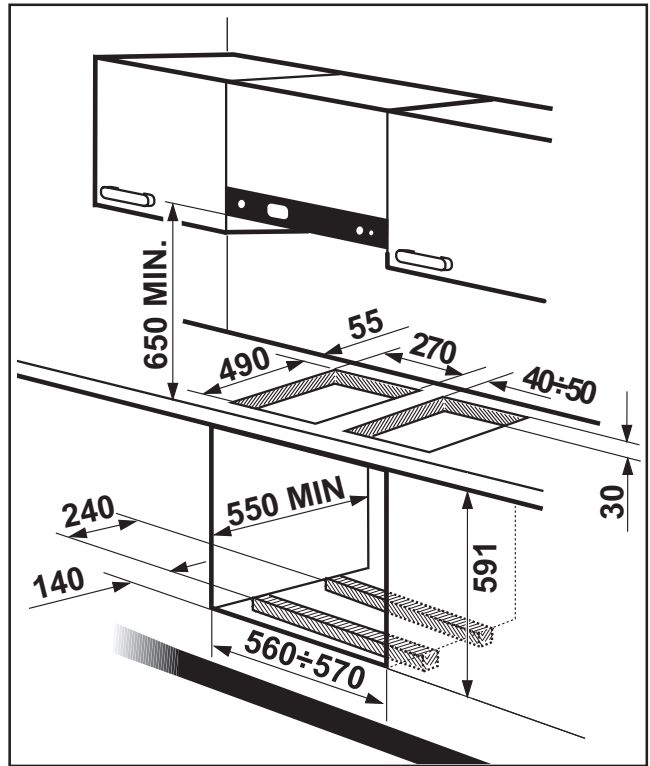
If there are side walls, or sides of the furniture unit near the hob, the cut out edges must have a minimum distance of 100 mm.

Hanging furniture units or hoods must be placed at 650 mm minimum from the hob.

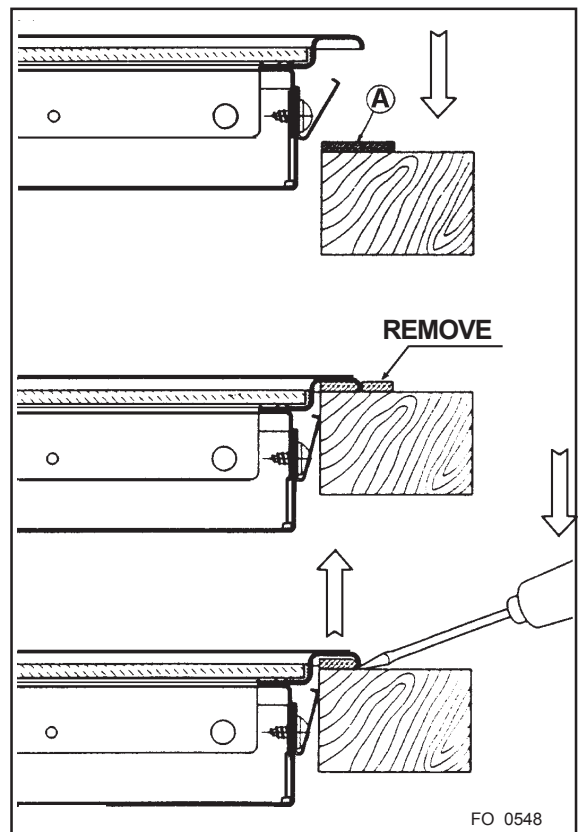
Carry out the building in of the hob as follows:

1. Place the sealing gasket (**Fig.4 - "A"**) all around the edge of the cut out.
2. Fit the hob in the cut out and push it down until it comes in contact with the kitchen top surface. Then remove the excess sealing.
3. To remove the hob from the cut-out, lift the edge of the hob by means of the edge of a screw-driver.

**i** If several 30cm hob are to be installed side by side into the same cut out, an assembly kit including a support side bracket and supplementary sealings is available at our After Sales Centres. The relevant installation instructions are supplied within the kit package.



**Fig. 3**



**Fig. 4**

FO 0548

# Possibilities for insertion

## Building over a kitchen unit with door

Proper arrangements must be taken in designing the furniture unit, in order to avoid any contact with the bottom of the hob which can be hot when in operation. The recommended solution is shown in diagram 5.

The panel fitted under the hob ("a") should be easily removable to allow easy access if technical assistance is needed. The space behind the kitchen unit ("b") can be used for connections.

## Kitchen unit with oven

The hob recess dimensions must comply the indication given in Fig. 3 and the kitchen unit must be provided with proper openings to allow a continuous supply of air. Suggestions to ensure a proper ventilation are shown in Figs. 6 e 7.

The electrical connection for the hob must be separate from the electrical connection for the oven, to ensure safety and to allow an easy removal of the oven from the unit, if necessary.

Fig. 5

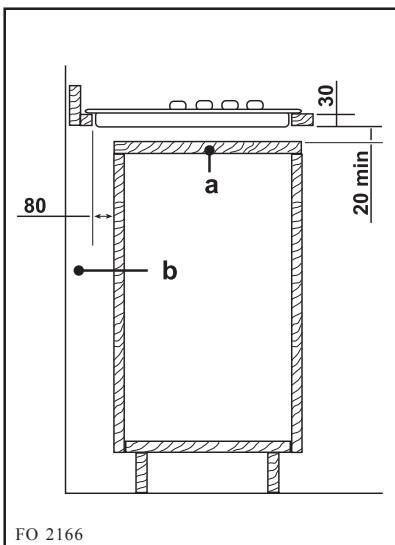


Fig. 6

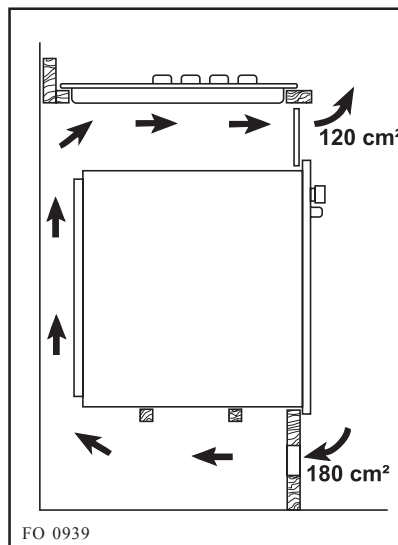
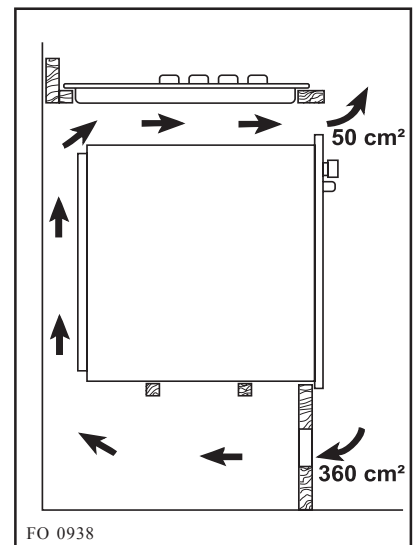


Fig. 7



- a) Removable panel
- b) Space for connections